

JULY 2018



Tablet POS

To meet the ever growing requirement for mobility in the hospitality industry, Vectron offers a POS tablet built with the latest Intel Bay Trail TCR platform. Designed with more dynamic and effortless operations that help reduce cost and create efficient consumer experience.

- Semi-rugged design
- Wide range of peripherals
- 7" or 10" models available

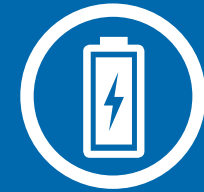
Ultra
Light

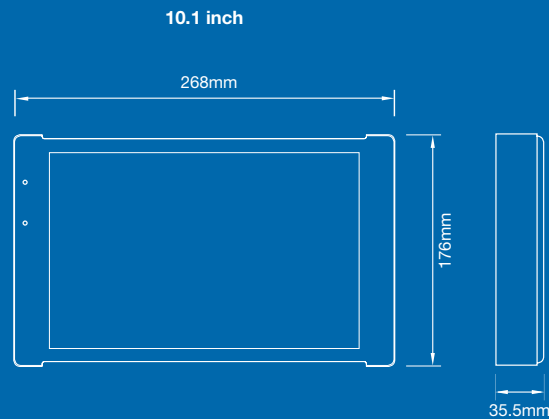
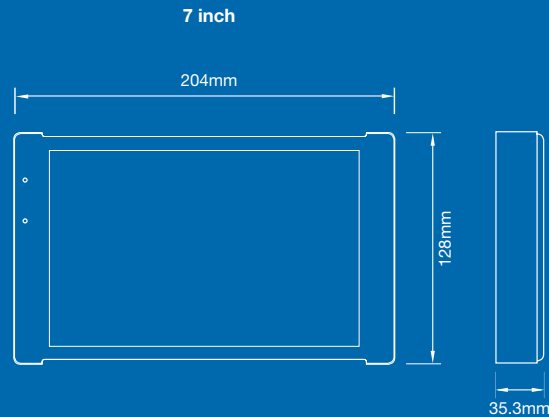


Liquid Splash
Protection



Long Life
Battery





sales@gravityaustralia.com.au
 1300 832 876
 U5, 63-71 Boundary Rd, North Melbourne,
 Victoria 3051, Australia

Model Name		POS Tablet	
Motherboard	D31		
Processor	intel® Atom Bay-Trail Z3745		
Flash Memory	32G eMMC		
LCD Touch Panel			
LCD Size	7"	10.1"	
Resolution	1280 x 800	1920 x 1200	
Touch Screen	Projected Capacitive 5-Point Multi-Touch		
Wireless Networking			
Wireless LAN	802.11 a/b/g/n, 2.4G / 5G Hz		
Bluetooth	4.0+LE, Class 2		
NFC	1		
Expansion			
Mini PCI-E Socket	1 (Support upto 64GB)		
Audio			
Speaker	4 x USB 2.0 1 x 1W Speaker		
Control / Indicator			
Power Button	1		
Sensor	G-sensor, Ambient Light Sensor		
Vibrator	Vibrator Motor		
LED indicator	1 (Green/Orange/Red) for Battery Status Indicator)		
Certificate			
EMC & Safety	FCC Class B/ CE Mark / UL		
Peripheral			
Rear Camera	5MP		
MSR	1 X ISO 3 Tracks MSR		
Hand Strap	1		
IC Card Reader	EMV L1/L2 IC Card Reader (Optional)		
Scanner	2D Barcode Scanner (Optional)		
Cradle			
Charger Cradle	1 X micro-USB 2.0, 5V Adaptor		
USB Cradle	3 X USB 2.0, 12V Adaptor (Optional)		
POS Cradle	1 X LAN, 1 X COM, 3 X USB 2.0, 1X VGA, 19V Adaptor (Optional)		
Battery & Power			
Battery	8000 mAh, 3.7 V, 29.6 Wh (Up to 8 hrs)		
Spare Battery Charger Rack	5-in-1, 19V Adaptor (Optional)		
Environment			
Sealing	IP54 (Display Side)		
Fall Security	1.2m Drop		
Operating Temperature	Non charging mode 0°C ~ 40°C (32°F ~ 104°F)		
Operating Temperature	Charging mode 0°C ~ 35°C (32°F ~ +95°F)		
Storage Temperature	-10°C ~ 45°C (14°F ~ 114°F)		
Operating Humidity	20% ~ 80% RH non-condensing		
Storage Humidity	20% ~ 85% RH non-condensing		
Dimension (W x D x H)	204 x 128 x 35.3mm	268 x 176 x 35.5mm	
Dimension (W x D x H)	(8" x 5" x 1.3")	(10.6" x 6.9" x 1.4")	
Weight	665g (1.47lbs)		
Operating System	Windows Embedded 8.1 Industry Pro Small Tablet 32BIT		