

JULY 2018



# IMPACT

## Receipt Printer

Producing clear, precise and archive quality documents, this printer is ideal for receipts, coupons, rebates and special offers.

Featuring trouble free drop-and-print paper loading, this extraordinarily reliable printer provides paper “pull” technology for jam-free operation and best-in-class cutter performance.

The internal power supply eliminates unsightly and messy cords and bricks.

Preferred for POS, bar, kitchen, and data-logging printer applications

**Auto  
Cut**

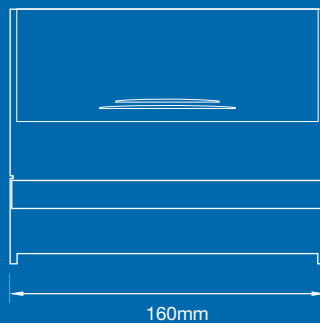
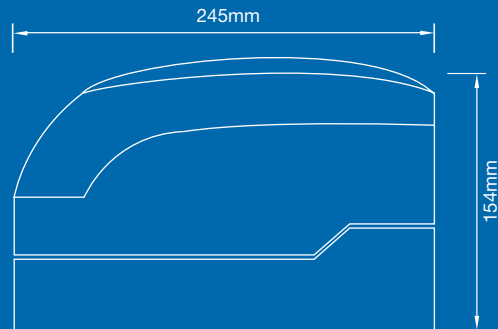


**Multiple  
Languages**



**Lw Carbon  
Footprint**





[sales@gravityaustralia.com.au](mailto:sales@gravityaustralia.com.au)  
 1300 832 876  
 U5, 63-71 Boundary Rd, North Melbourne,  
 Victoria 3051, Australia

Model Name	Impact Receipt Printer
<b>Print</b>	
Print method	9-pin serial impact dot matrix
Print width	Max. 400 (half dots) / 200 (full dots)
Columns	40 (7x9) / 33 (9x9); 42 (7x9) / 35 (9x9)
Print speed	4.7LPS (400 dots / line)
Drivers	Windows driver (Win2000/XP, WinServer 2003/2008, VISTA, Win7,Win8)
Interface	USB+CDKO or Ethernet+CDKOB.
Attachable interfaces (daughter board):	1. RS232 2. Centronics 3. USB 4. Ethernet 5. WLAN (Wi-Fi)
Cash drawer control	1-2 cash drawers
<b>Fonts</b>	
Characters size	Font A: 9x9, Font B: 7x9
Characters per line	Font A: 33/35, Font B: 40/42
Character modification	Rotate (0°,90°,180°,270°), enlarges (1-6X), emphasize, under-line, reverse
<b>Data Buffer</b>	
Receive buffer	8K
NV bit image data area	128K
User NV memory	1K
Paper type	Continuous paper, Marked paper
Single layer thickness	0.06-0.085mm
Multi-layer thickness	1 original +1 0.05-0.08mm, total thickness 0.14 mm copies
Paper width	80±0.5mm, 76±0.5mm, 69.5±0.5mm, 57.5±0.5mm
Paper roll OD	83mm (Max)
Paper cut	Full cut, partial cut, tear off
<b>Ribbon</b>	
Ribbon specification	ERC-38
Ribbon lifetime	ERC-38(P): 4 million characters ERC-38(B): 3 million characters ERC-38(B/R)Black: 1.5 million characters ERC-38(B/R)Red: 0.75 million characters
Power supply	Input/Output: 100-240 VAC, 50-60 Hz/ 24±5%V DC,1.5A
<b>Reliability</b>	
Printer head lifetime	10,000,000 lines
Printer mechanism lifetime	150,000,000 lines
Cutter lifetime	1,800,000 cuts (standard test condition)
<b>Environment</b>	
Operating conditions	5°C to 45°C, 20% to 90%RH (40°C)
Operating Temperature	-40°C to 60°C, 20% to 93%RH (40°C)
Dimensions	160 (W) X 245 (D) X 154 (H) mm
Weight	Approx. 3.2 kg
Certification	CE, CB, UL, FCC, RoHS, EnergyStar